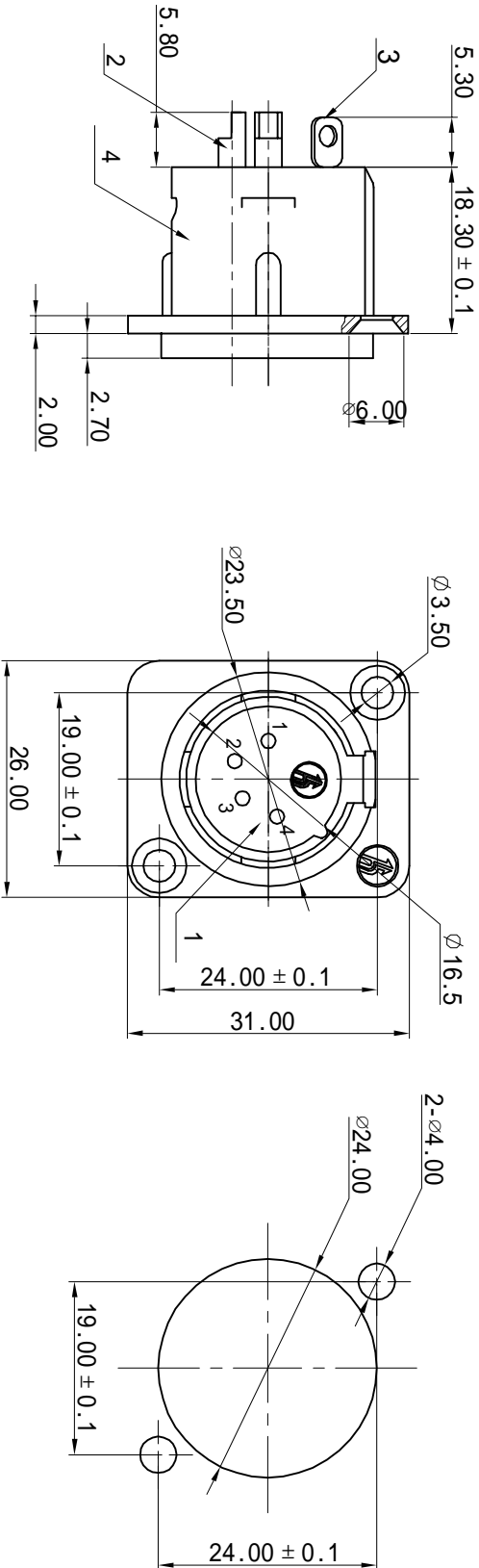





ALLOWANCE	
UNDER 3	± 0.1
3 TO 6	± 0.15
6 TO 15	± 0.2
15 TO 50	± 0.25
50 OVER	± 0.3



4	COVER	ZINC	1	Electrochromatic paint	MODEL NO : SPM4-21	ALLOWANCE :	DRAWN BY :
3	TERMINAL-B	QSn6.5-0.1-0.4Y	1	Ag PLATED	TYPE :XLR CABLE CONNECTORS	UNIT: mm	CHECKED BY :
2	TERMINAL-A	HPb59-1	3	Au PLATED	MATERIAL NO :	SCALE:	APPROVED BY :
1	HOUSE	PA66	1	Black	PROJECTION		
NO:	PART NAME	MATERIAL	QTY	FINISHING	   ZWEE CO., LTD		