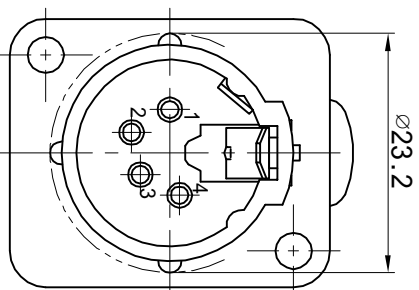
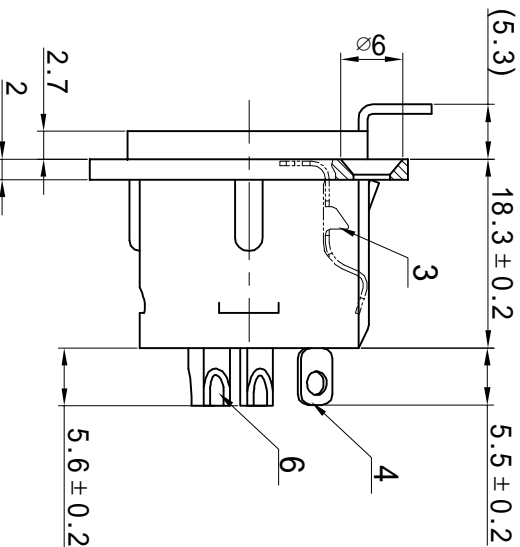
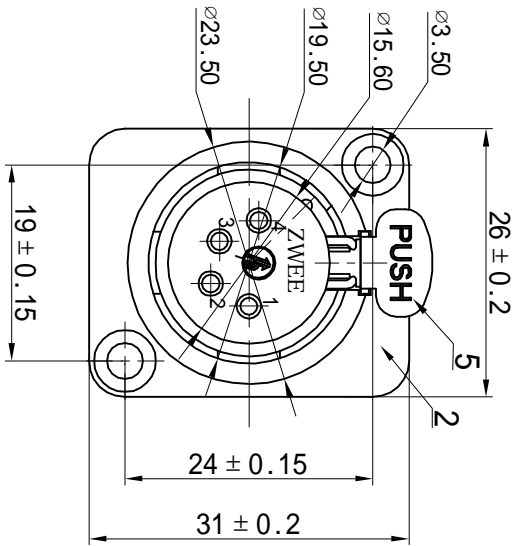
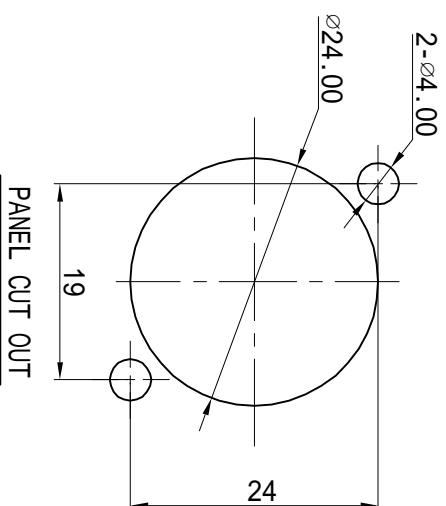



ALLOWANCE	
UNDER 3	± 0.1
3 TO 6	± 0.15
6 TO 15	± 0.2
15 TO 50	± 0.25
50 OVER	± 0.3



Specifications:
 Rating : AC 50V, 3A.
 Force : 5-40N.
 Contact resistance:
 Less than 30mΩ.
 Insulation resistance:
 Over 1GΩ on DC 500V measured.
 Voltage withstand :
 AC 1000V, For 1 minute.



7	TERMINAL-B	BRONZE t=0.2	4	Ag PLATED	MODEL NO : SPF4-21	ALLOWANCE :	DRAWN BY :
6	TERMINAL-A	BRASS	4	Ag PLATED	TYPE: SP SOCKET	UNIT: mm	CHECKED BY :
5	PUSH	BRASS t=0.8	1	Ni PLATED	MATERIAL NO :	SCALE :	APPROVED BY :
4	TERMINAL-E	BRONZE t=0.4	1	Ag PLATED	PROJECTION	 ZWEE CO., LIMITED	
3	SPRING	65Mn δ=0.4	1	Ni PLATED			
2	COVER	ZINC	1	Black			
1	HOUSE	PA66	1	Black			
NO:	PART NAME	MATERIAL	QTY	FINISHING			