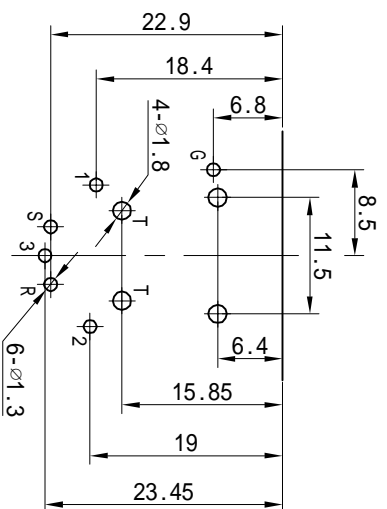
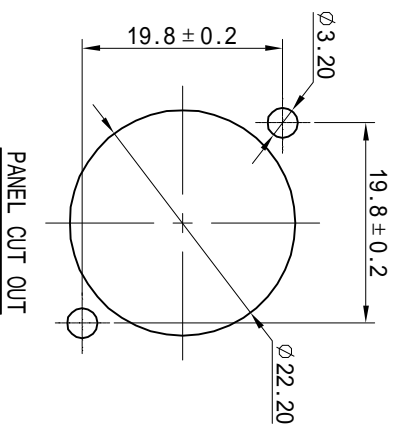
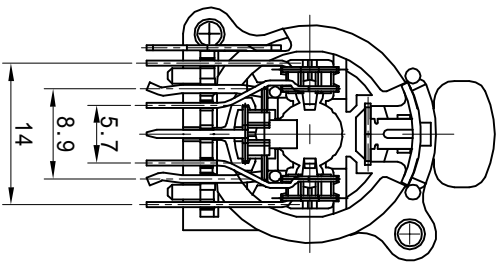
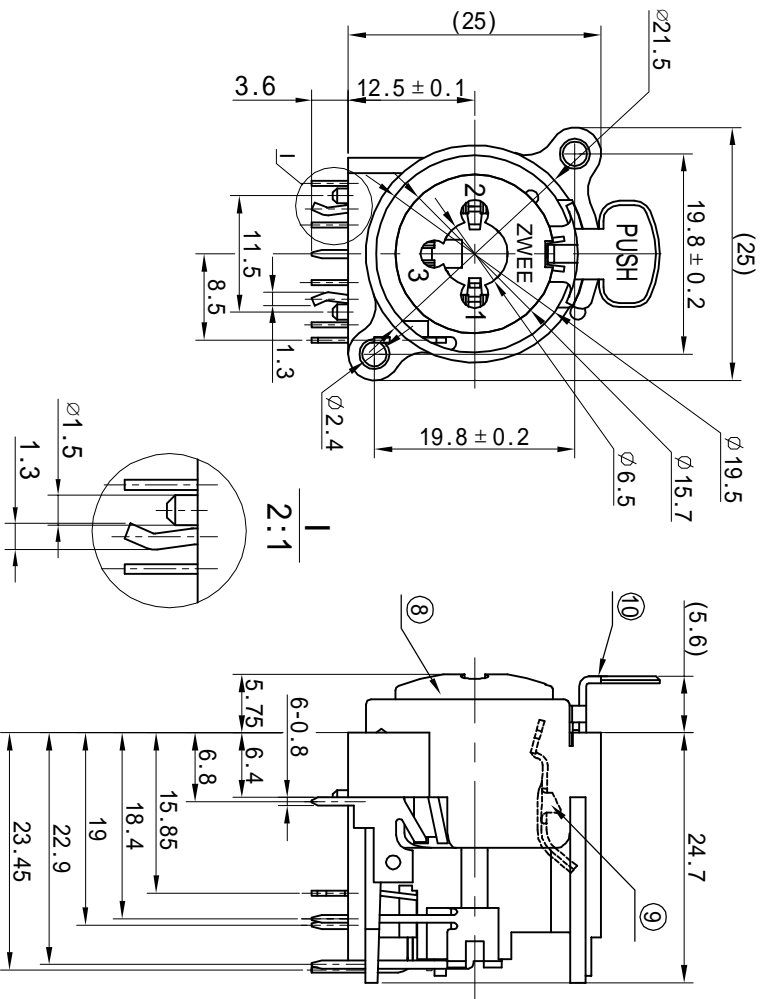


ALLOWANCE	
UNDER 3	± 0.1
3 TO 6	± 0.15
6 TO 15	± 0.2
15 TO 50	± 0.25
50 OVER	± 0.3



Specifications:
 Rating :AC 50V, 3A.
 Force:5-40N.
 Contact resistance:
 Less than30mΩ.
 Insulation resistance:
 Over 16Ω on DC 500V measured.
 Voltage withstand :
 AC 1000V,For 1 minute.

10	TERMINAL-PUSH (SP-07E)	BRONZE t=0.65	1	NI PLATED
9	SPRING(SP-15)	65Mn t=0.5	1	NI PLATED
8	HOUSE	PA66	1	BLACK
7	TERMINAL-G	BRASS t=0.5	1	AG PLATED
6	TERMINAL-R	BRONZE t=0.5	1	AG PLATED
5	TERMINAL-S	BRONZE t=0.5	1	AG PLATED
4	TERMINAL-T	BRONZE t=0.5	1	AU PLATED
3	TERMINAL-3	BRONZE t=0.5	1	AU PLATED
2	TERMINAL-2	BRONZE t=0.5	1	AU PLATED
1	TERMINAL-1	BRONZE t=0.5	1	AU PLATED

NO.:	PART NAME	MATERIAL	QTY	FINISHING
MODEL NO :SPC-18 ALLOWANCE: DRAWN BY: TYPE : SP SOCKET UNIT: mm CHECKED BY: MATERIAL NO : SCALE: APPROVED BY: PROJECTION				